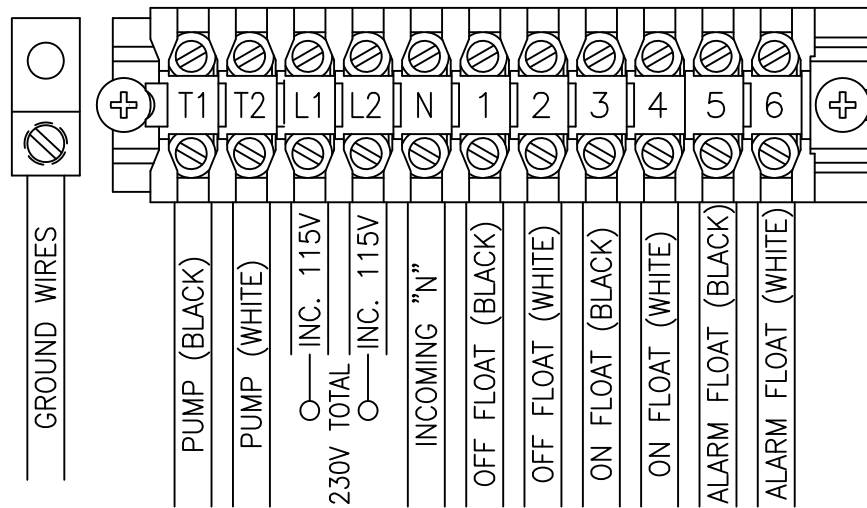


# CONNECTION DIAGRAM

REQUIRED TORQUE FOR TERMINAL BLOCK SCREWS IS 16 in-lbs.



ALL INFORMATION CONTAINED IN THIS DRAWING IS  
CONFIDENTIAL AND PROPRIETARY TO SEPTIC PRODUCTS INC.



CHANGES	TOLERANCES	DRAWN BY	DATE
F	DECIMALS .xxx = ±.005 .xx = ±.010 FRACTIONAL x/x = ±.1/64 ANGLES x° = ±1/2°	C. BARRICK	05/28/09
E		MATERIAL SPECIFICATION:  AS NOTED	
D			
C			
B			
A			

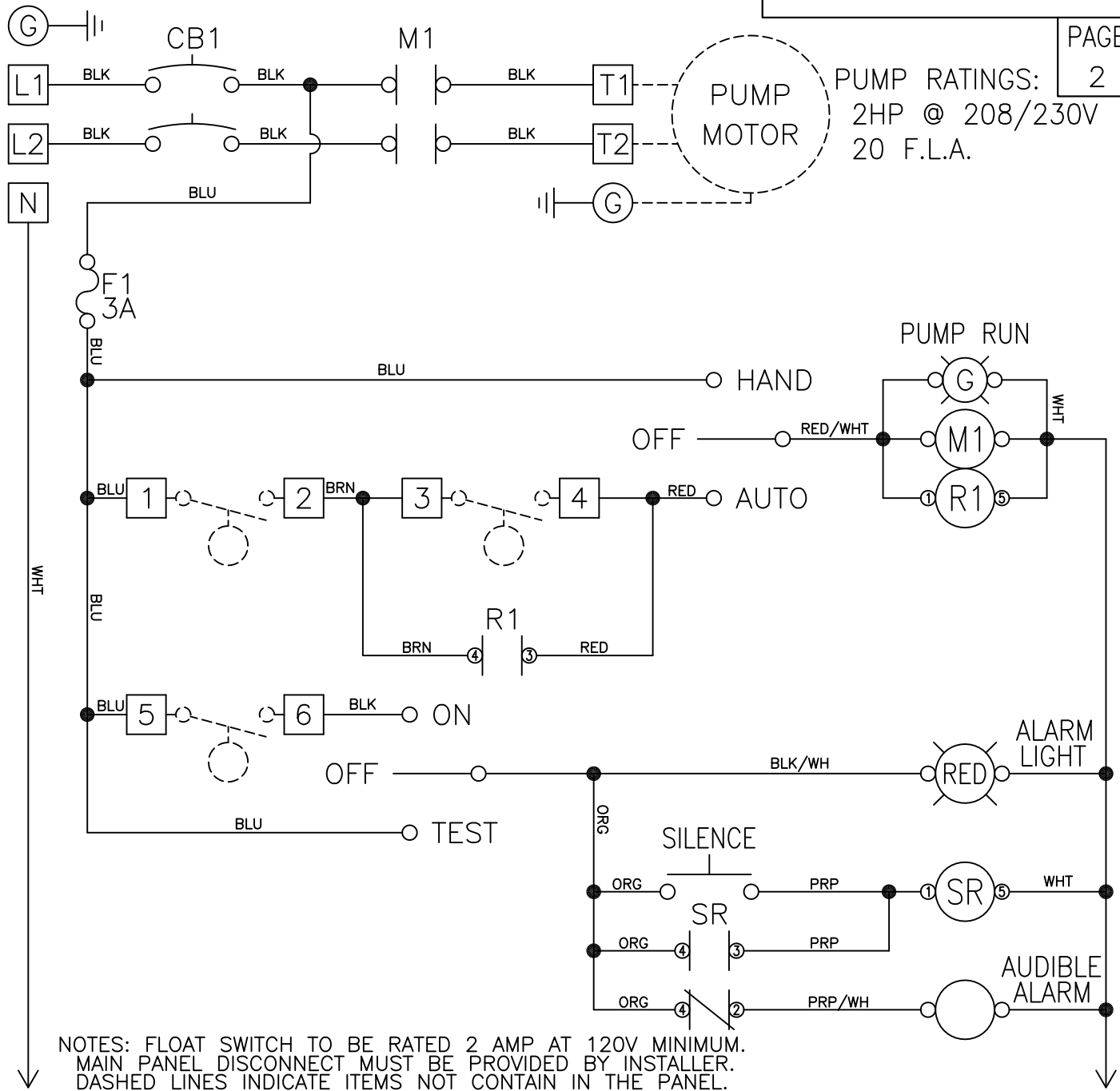
<b>CONNECTION DIAGRAM SIMPLEX</b>	
SCALE:	PART NO.
FULL	50A002

POWER CIRCUIT NOTE :PUMP MOTOR MUST HAVE 208/230V – 1PH INTERNAL OVERLOAD PROTECTION.

MODEL NO. SSC2B

PAGE 2

PUMP RATINGS:  
2HP @ 208/230V  
20 F.L.A.



NOTES: FLOAT SWITCH TO BE RATED 2 AMP AT 120V MINIMUM.  
MAIN PANEL DISCONNECT MUST BE PROVIDED BY INSTALLER.  
DASHED LINES INDICATE ITEMS NOT CONTAIN IN THE PANEL.  
REQUIRED TORQUE FOR TERMINAL BLOCK SCREWS IS 16 in-lbs.  
FIELD WIRING MUST BE A MINIMUM OF 60°C COPPER WIRE.

ALL INFORMATION CONTAINED IN THIS DRAWING IS CONFIDENTIAL AND PROPRIETARY TO SEPTIC PRODUCTS INC.



CHANGES	TOLERANCES	DRAWN BY	DATE	SCHEMATIC, ELECTRICAL SIMPLEX	
F	DECIMALS	D. MIDDLETON	02/20/04	SCALE: PART NO. FULL 50A002	
E	.XXX = ±.005	MATERIAL SPECIFICATION:  AS NOTED			
D	.XX = ±.010				
C	FRACTIONAL				
B	X/X = ±.1/64				
A	ANGLES				
	X° = ±1/2°				