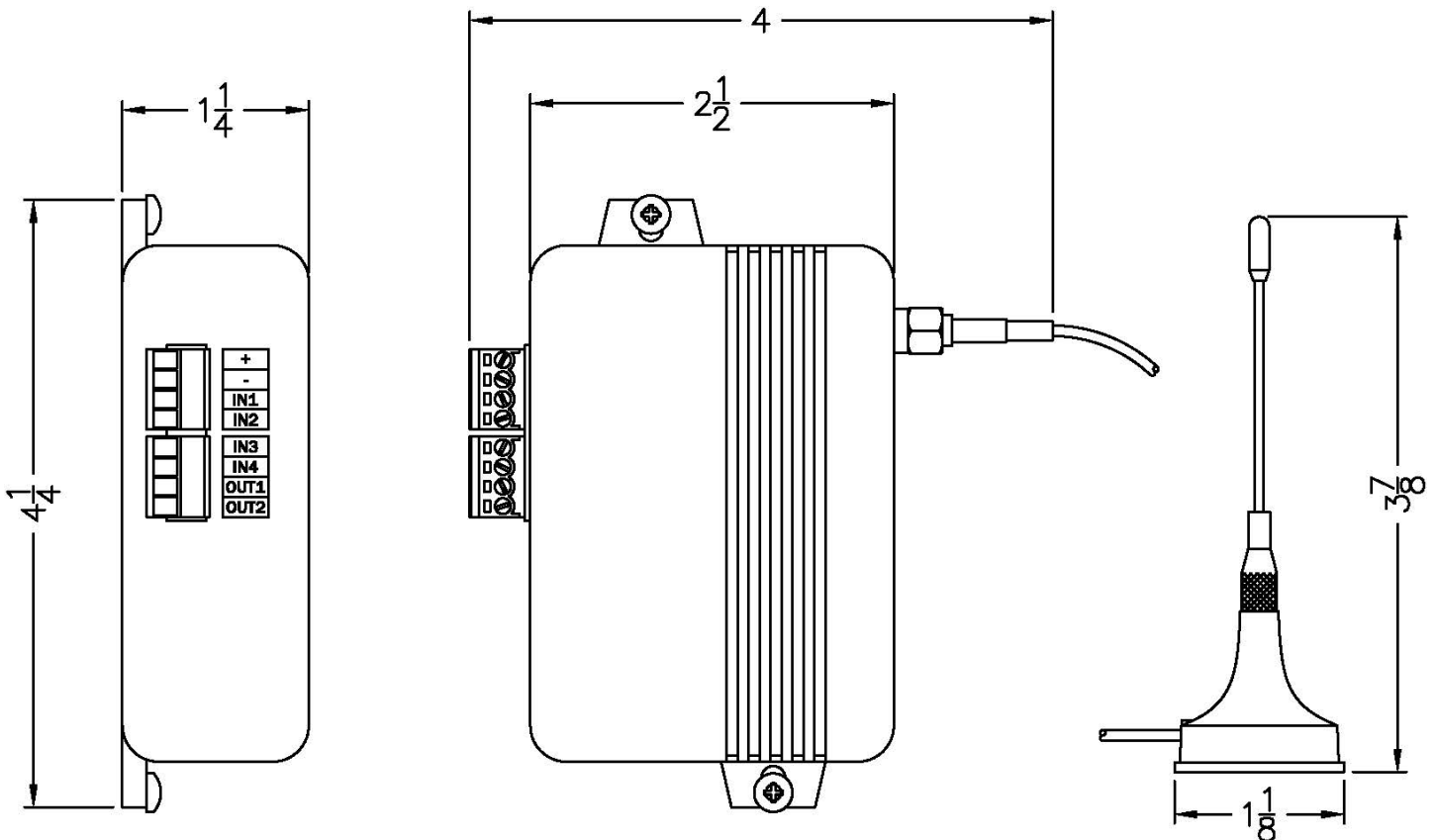




“C16-LTE” Cellular Auto-dialer

Features & Benefits

- Operating voltage: 12VDC
- Remote notification of alarm situation via email/text over cellular connection
- Support for Verizon and AT&T Networks
- Support for up to 4 digital inputs, up to 2 outputs
- Communication and signal strength indicators for on-site diagnostics
- Configure messages and output function via secure web application
- Generate reports for activated units/locations and export to excel via secure web application
- Requires third-party activation and subscriptions (SMS/text messaging fees may also apply)





AUTO-DIALER / TELEMETRY

“C16-LTE” Cellular Auto-dialer

Schematic

